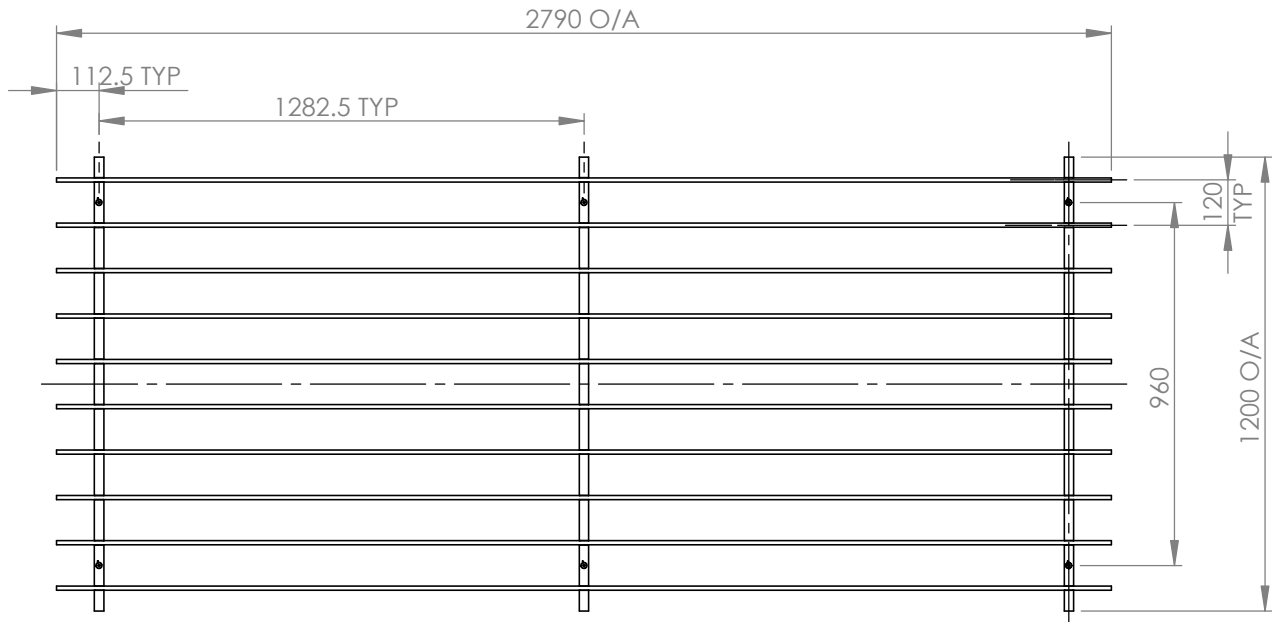
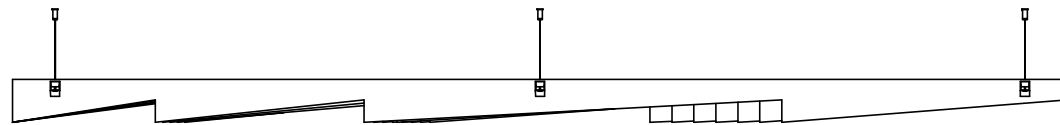


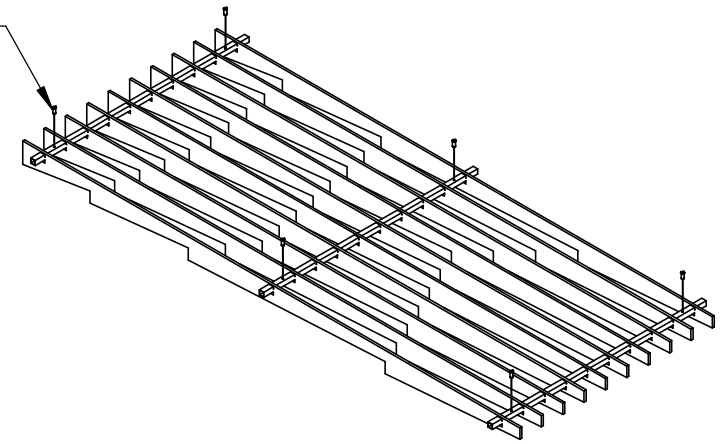
SUPPLIED WITH 6 x
ADJUSTABLE WIRE HANGERS-
NO SCREWS INCLUDED
FOR CEILING FIXING



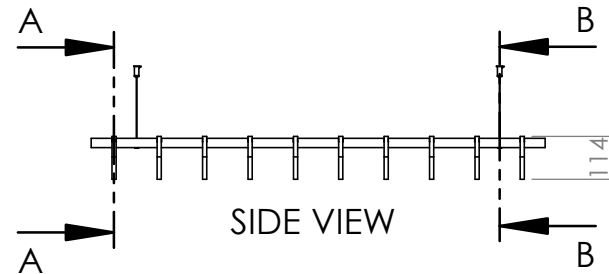
TOP VIEW



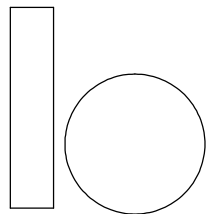
FRONT VIEW



ISOMETRIC VIEW



SIDE VIEW



baresque
www.baresque.com.au

PRODUCT
ZINTRA ACOUSTIC BAFFLES

MATERIALS
12mm ZINTRA BAFFLES
ALUMINIUM SHS WITH
POWDERCOAT FINISH AS
SPECIFIED

SHEET TITLE
BOLT GA
DRAWING ISSUE
ISSUE E

DRAWN BY KIARA SPENCER-SMITH

CLIENTS APPROVAL

SIGNATURE DATE

PLEASE MAKE SURE THAT ALL DIMENSIONS
AND INFORMATION MATCHES THE
PROJECT AND SIGN FOR APPROVAL

client
address
product ZINTRA ACOUSTIC BAFFLES

order
scale 1:20
date 26/10/2016 Page: 5

SCALE
ON A4

1:20