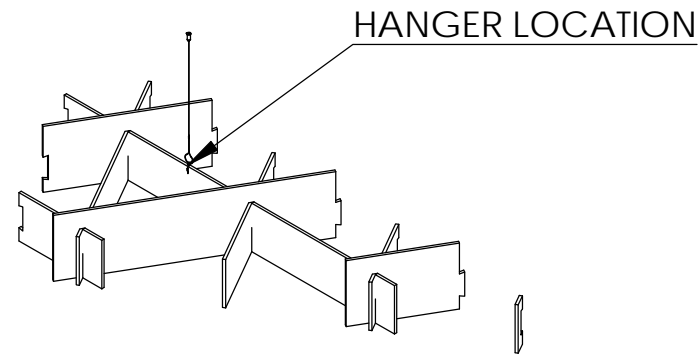
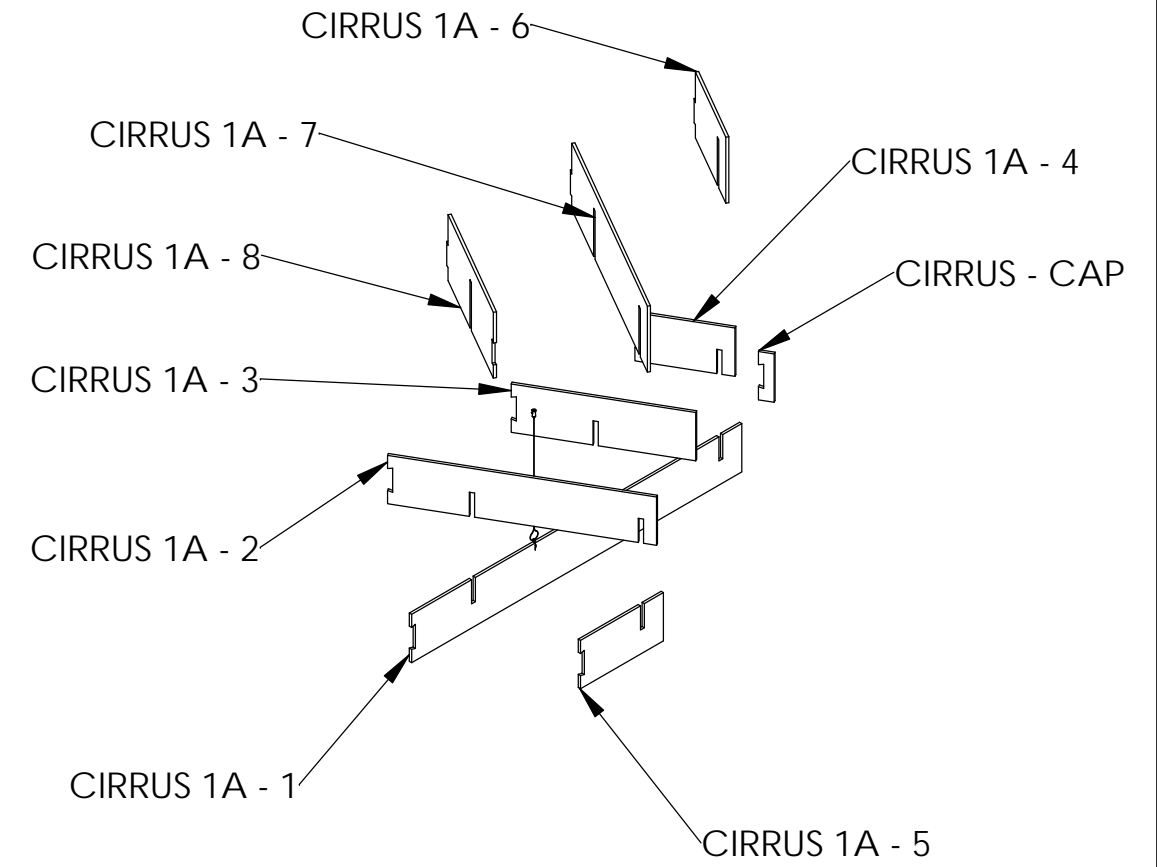


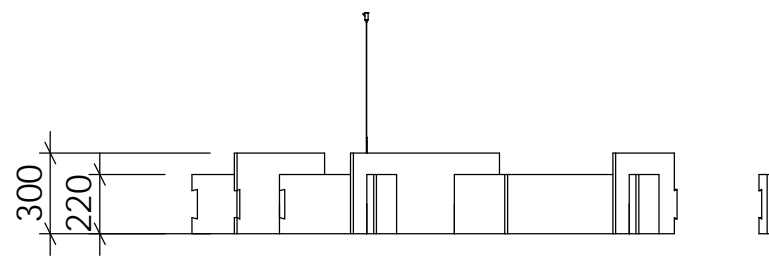
TOP VIEW



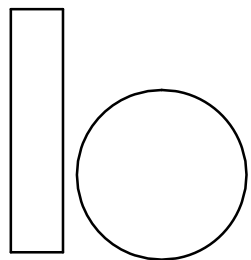
PERSPECTIVE VIEW



EXPLODED VIEW



FRONT VIEW



**baresque**  
www.baresque.com.au

FINISHES  
 QTY: ....  
 thickness: 12MM  
 type: ACOUSTIC CONNECT  
  
 design: CIRRUS 1A  
 skin: ....  
 core: ZINTRA ACOUSTIC BOARD

**NOTES**

SUPPLIED UNASSEMBLED  
 WITH 1 ADJUSTABLE WIRE  
 HANGER SET

**CLIENTS APPROVAL**

\_\_\_\_\_  
 SIGNATURE                      DATE

PLEASE MAKE SURE THAT ALL DIMENSIONS  
 AND INFORMATION MATCHES THE  
 PROJECT AND SIGN FOR APPROVAL

client ....  
 address ....  
 title CIRRUS - 1a  
  
 order ....  
 scale 1:2  
 date 31/08/2018  
 revision

\_\_\_\_\_  
 drawing  
 1/2 - GENERAL ASSEMBLY

S:\Baresque Manufacturing\PRODUCTION\BM - CLIENTS\BAF\R&D\V15\ACOUSTIC CONNECT\CIRRUS\CIRRUS 1A\