

STRATEK POST SCREEN

Rectangle

INSTALL GUIDE

NOTE 12 post version shown for reference only



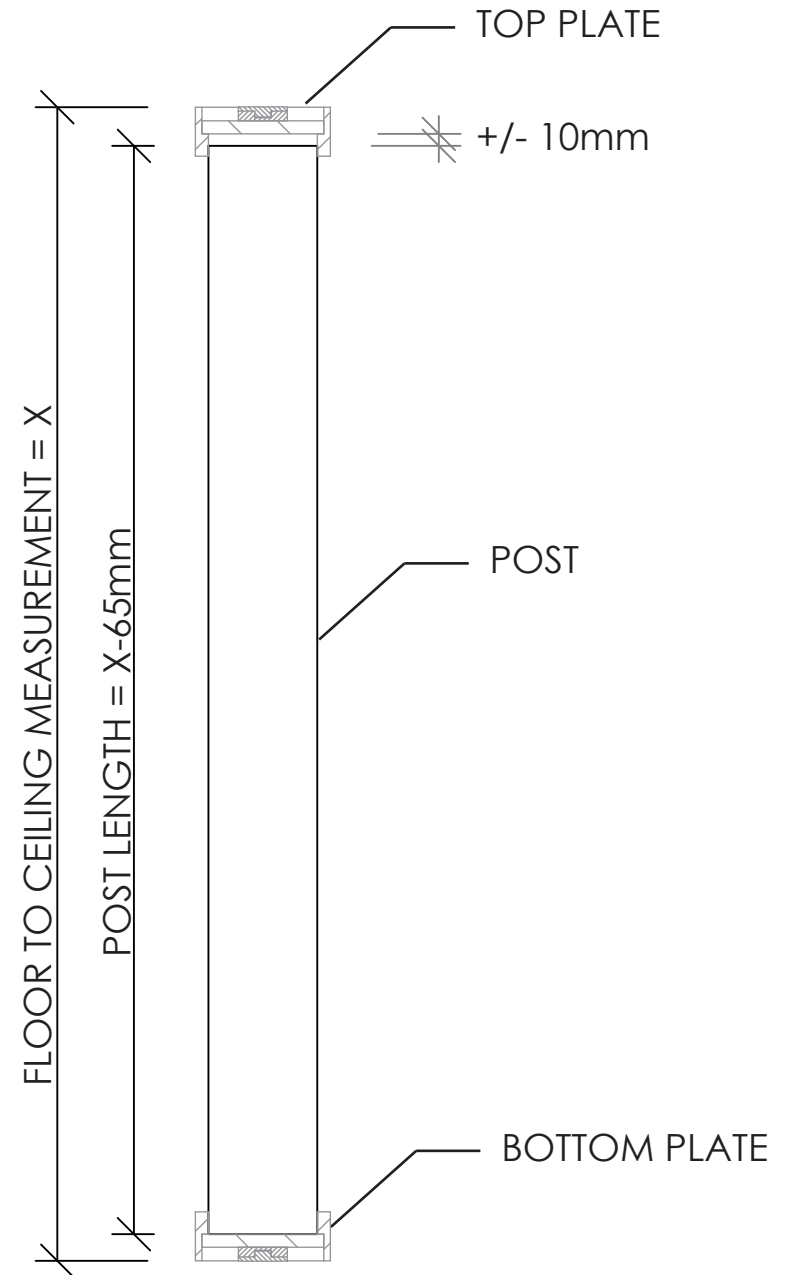
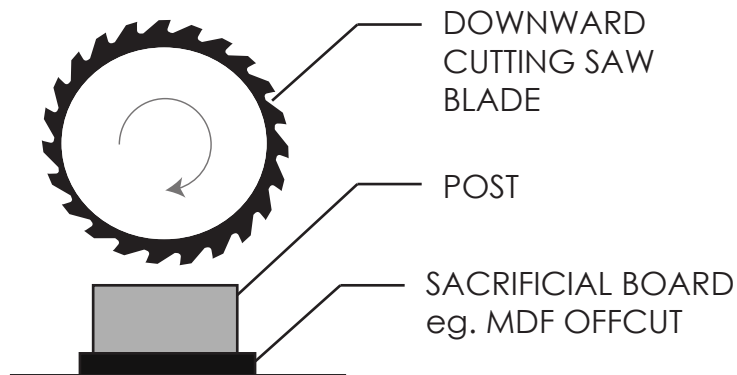
baresque.com.au
e info@baresque.com.au
p 1300 306 399

STRATEK POST SCREEN

MAKE SITE READY

Cut posts 65mm shorter than measured floor to ceiling height. This allows for approx 10mm variance in floor to ceiling height. If ceiling height varies more than 10mm across distance of assembly, blades can be individually cut to length to suit this fall/rise.

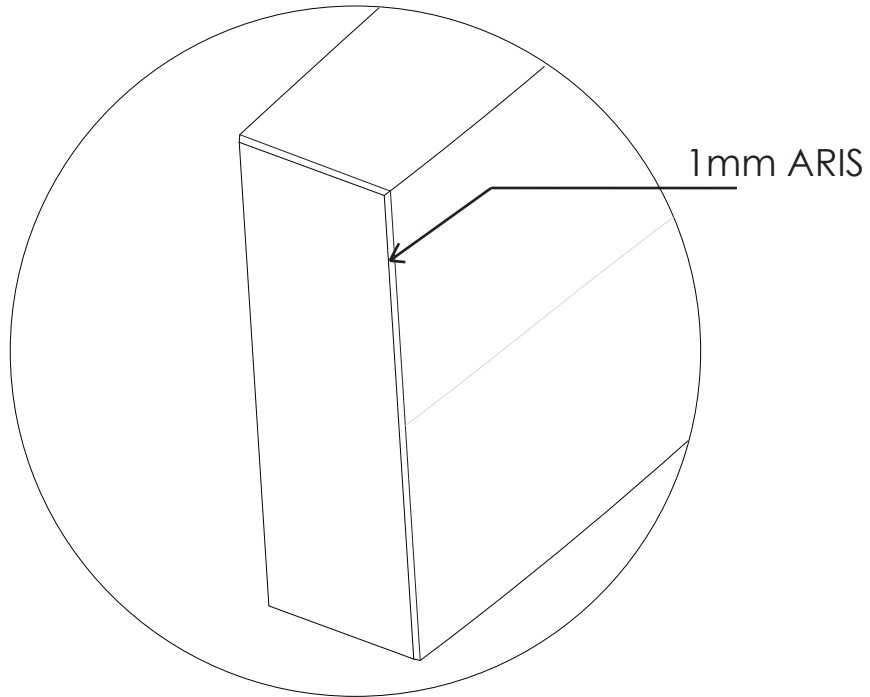
Standard woodworking tools are suitable for cutting to length. A drop saw will give best results. Cut slowly and use sacrificial board underneath to avoid chipping STRATEK. Small chipping is acceptable and may occur, this will be hidden by top plate.



CUT TO SIZE TO SUIT SITE MEASUREMENTS

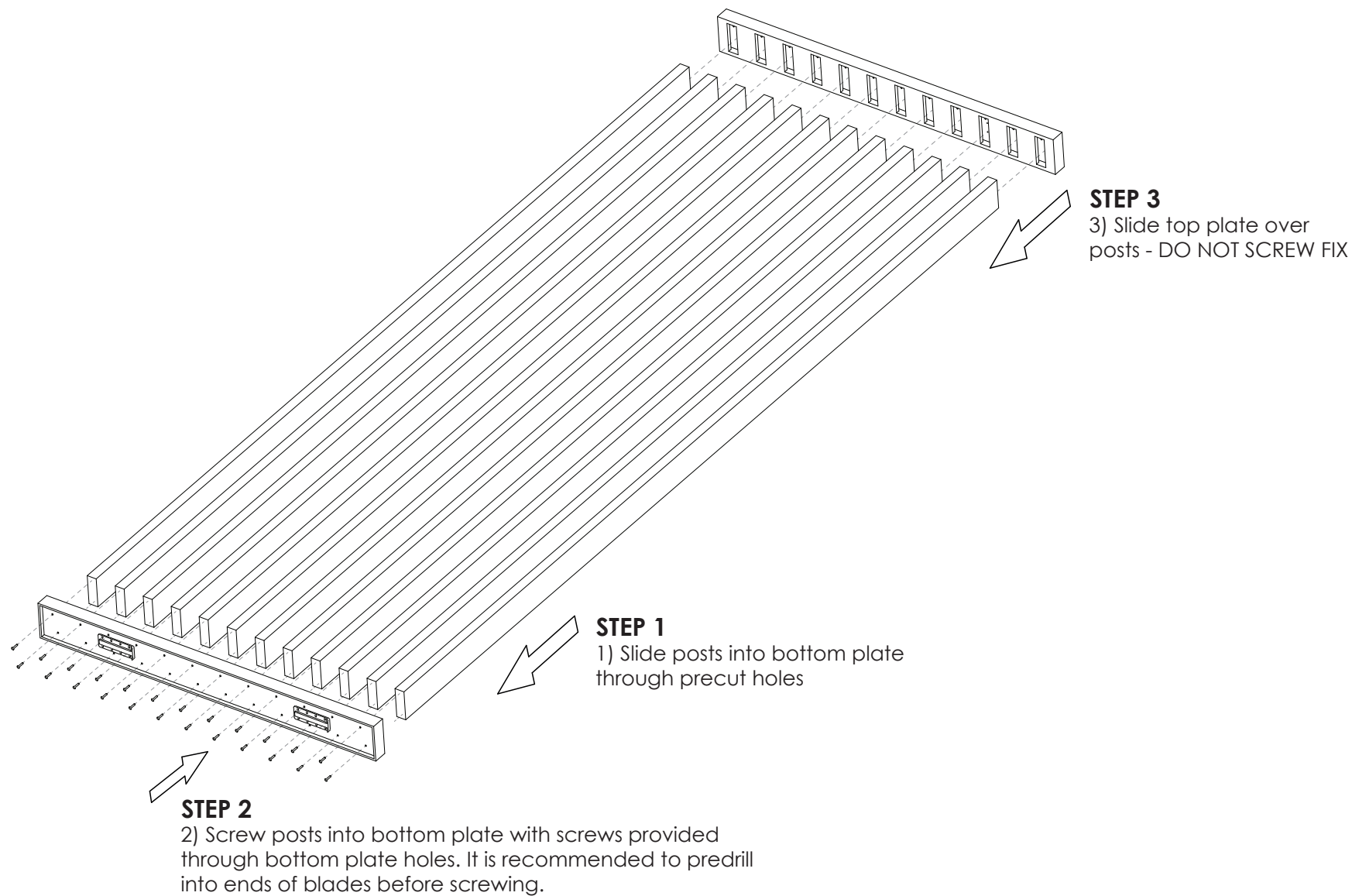
STRATEK POST SCREEN

PREPARE POSTS FOR ASSEMBLY



Use a sanding block or fine tooth file to put a small 1mm aris on both ends of posts after cutting. This will make assembly easier and avoid chipping stratek.

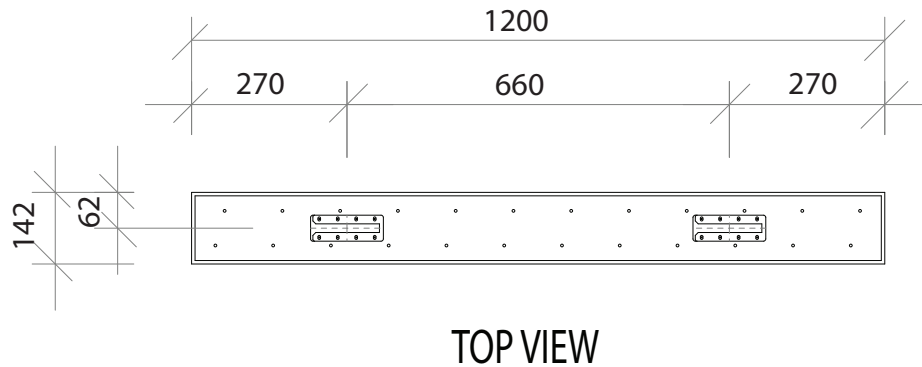
STRATEK POST SCREEN ASSEMBLY



STRATEK POST SCREEN

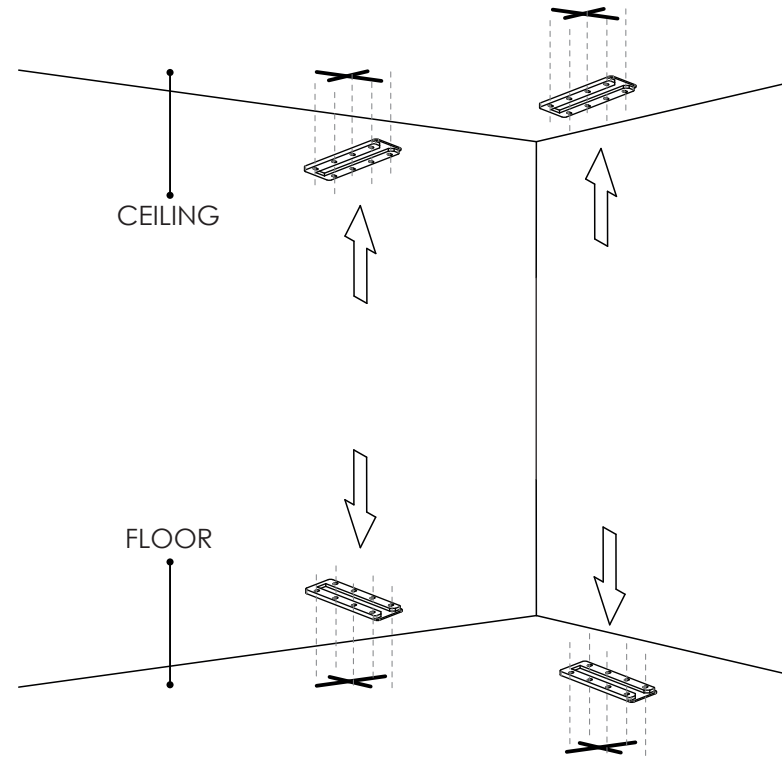
INSTALL METHOD

4) Mark position of striplox on floor and ceiling with below fixing setout dimensions. A laser level will speed this process up. Make sure that ceiling fixings are directly above floor fixings.



STEP 4

5) Screw fix supplied Striplox to floor and ceiling in marked locations. *screws not included* - please provide 8 gauge screws best suited for your ceiling and floor application. Be sure striplocks are facing the same direction.

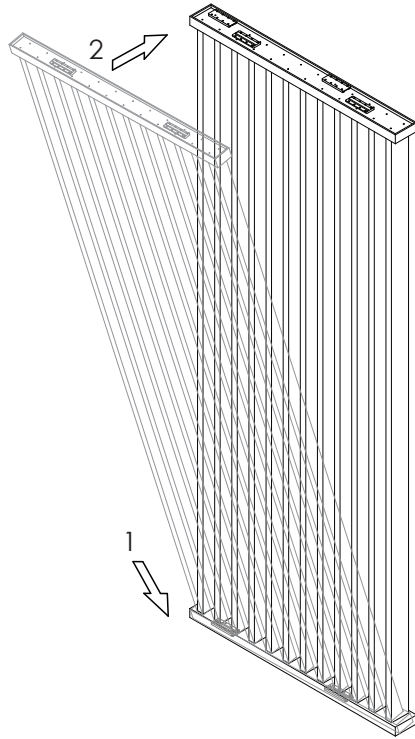


STEP 5

STRATEK POST SCREEN

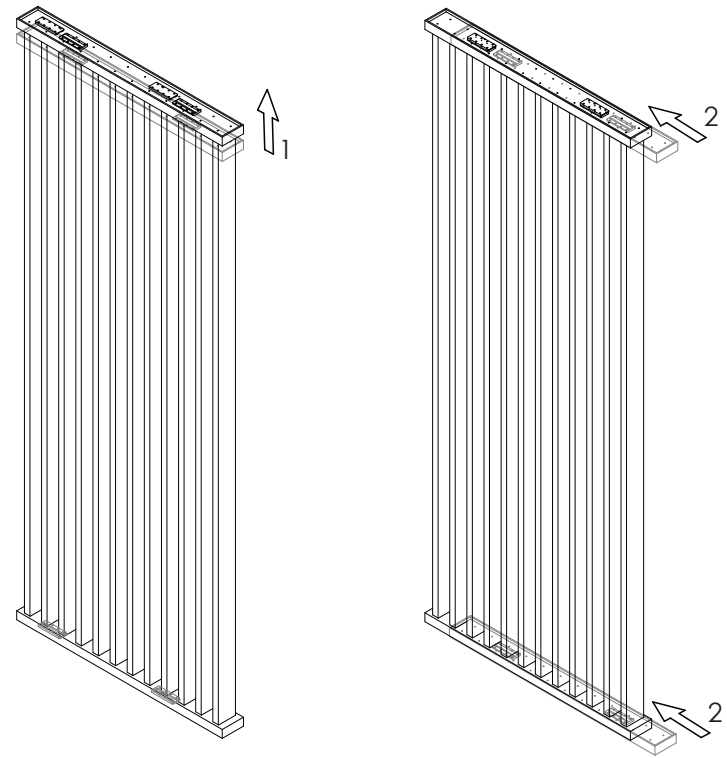
INSTALL METHOD

6) Place assembly over floor fittings (1), do not lock in yet, and rotate screen to align with ceiling fittings (2).



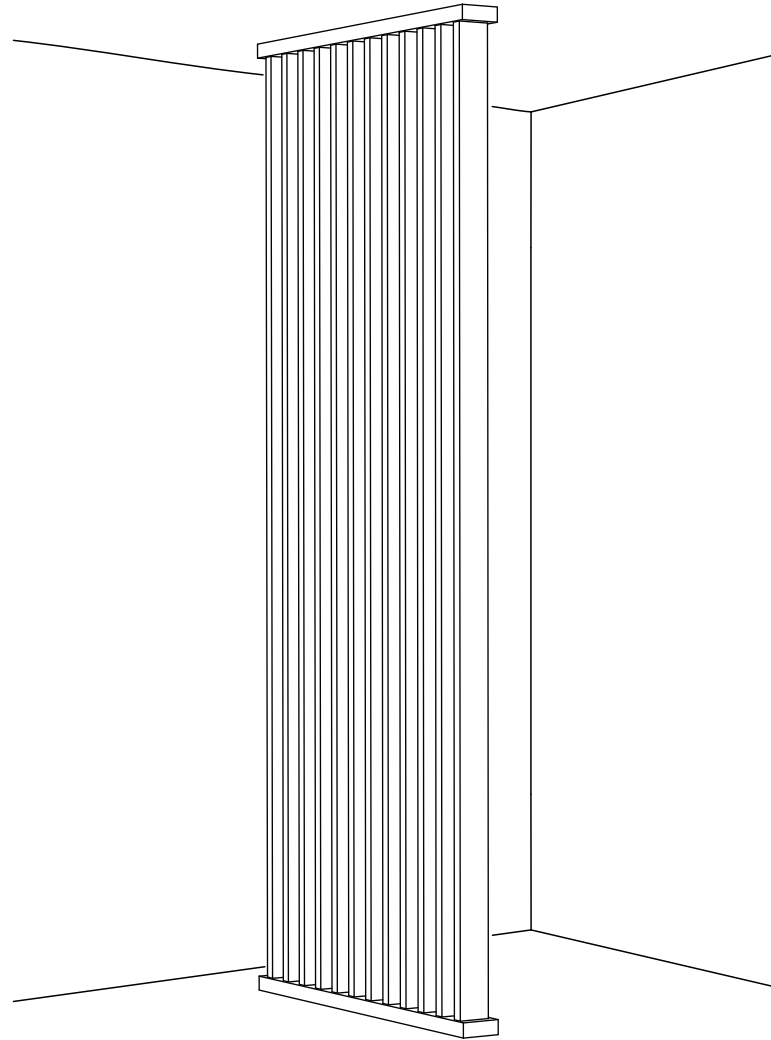
STEP 6

7) Slide top plate up to meet ceiling (1), then slide both top and bottom plate across to lock into striplox until movement stops (2)



STEP 7

STRATEK POST SCREEN
INSTALL COMPLETE



STRATEK POST SCREEN PARTS

**STRATEK POSTS IN SPECIFIED
STRATEK COLOUR @ 3000mmL**
NOTE - QTY WILL DEPEND ON WHICH VERSION
IS SPECIFIED (8 OR 12)

**1x TOP PLATE IN SPECIFIED
STRATEK COLOUR**
NOTE - 12 POST VERSION SHOWN FOR REFERENCE ONLY

**1x BOTTOM PLATE IN SPECIFIED
STRATEK COLOUR**

**4x STRIPLOX FITTINGS
(TEMPORARILY FITTED TO SCREEN FITTING)**

**20x 8g TIMBER SCREWS
FOR FITTING POSTS**
(no floor or ceiling screws supplied)

PLEASE NOTE:
- PARTS OF INSTALLATION WILL REQUIRE 2 PEOPLE
- INSTALLER TO PROVIDE SUITABLE 8 GAUGE SCREWS
AND ANY OTHER FITTINGS TO SUIT FLOOR AND CEILING
TYPE