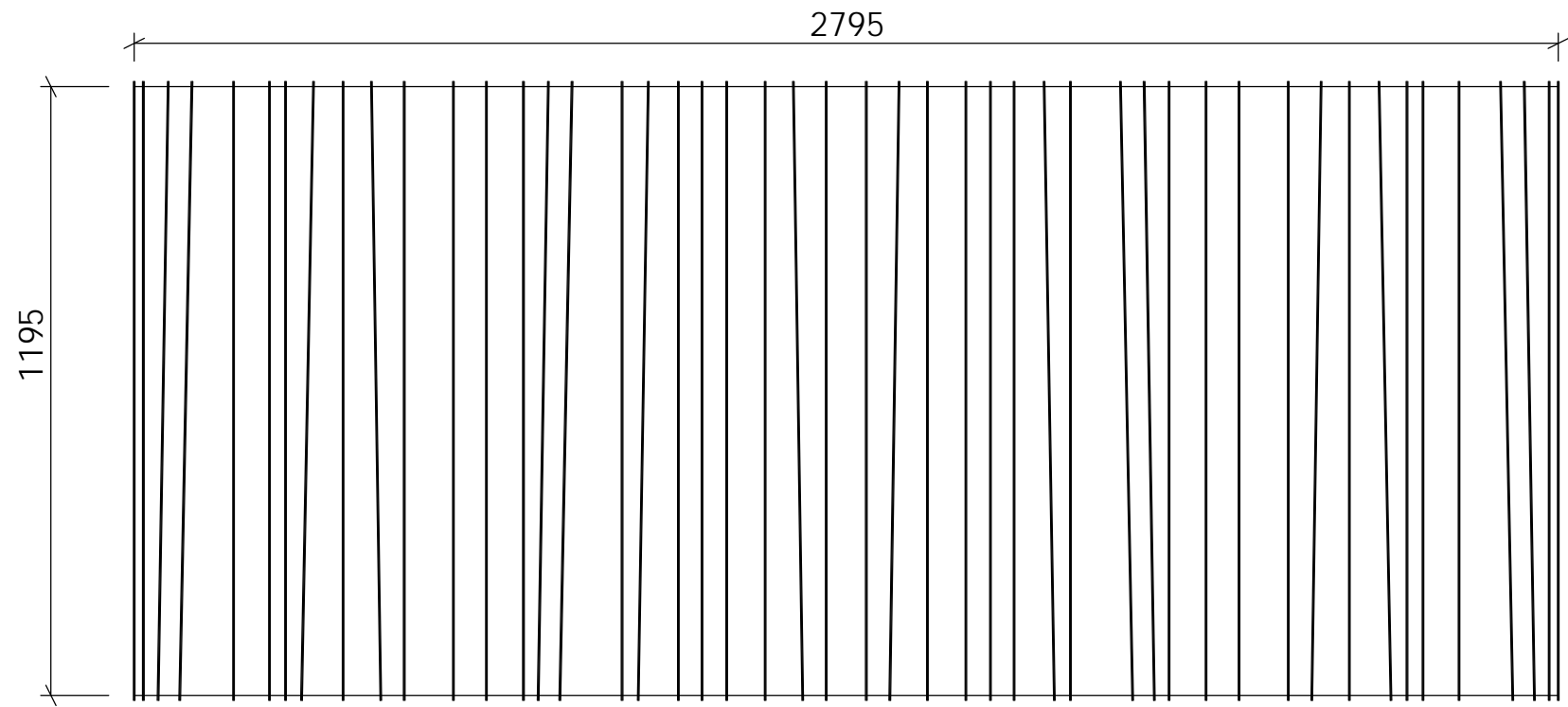
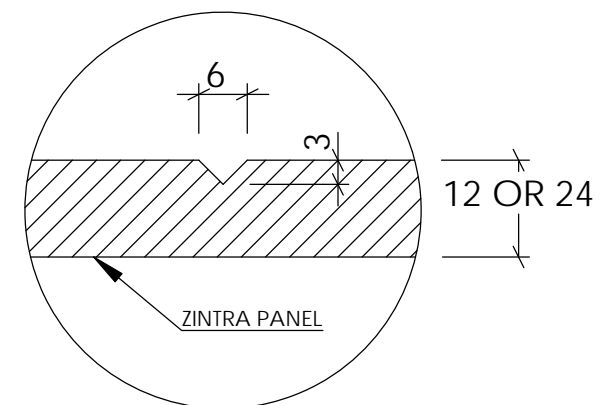


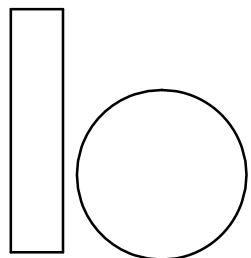
REED BED VERTICAL



REED BED HORIZONTAL



V-GROOVE DETAIL VIEW



**baresque**  
www.baresque.com.au

FINISHES  
QTY: ....  
thickness: ....  
type: ZINTRA ETCH

design: REED BED  
skin: ....  
core: ....

S:\Baresque Manufacturing\PRODUCTION\STANDARD PRODUCTS\ZINTRA\Zintra Etch\

**NOTES**

3MM DEEP V GROOVE

**CLIENTS APPROVAL**

\_\_\_\_\_  
SIGNATURE      DATE

PLEASE MAKE SURE THAT ALL DIMENSIONS AND INFORMATION MATCHES THE PROJECT AND SIGN FOR APPROVAL

client ....  
address ....  
title ZINTRA ACOUSTIC ETCH

order ....  
scale 1:1  
date 5/09/2018  
revision

\_\_\_\_\_  
drawing  
7/20 REED BED