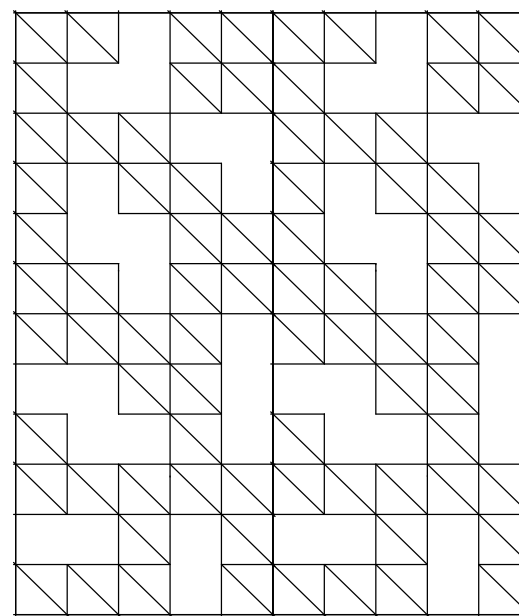
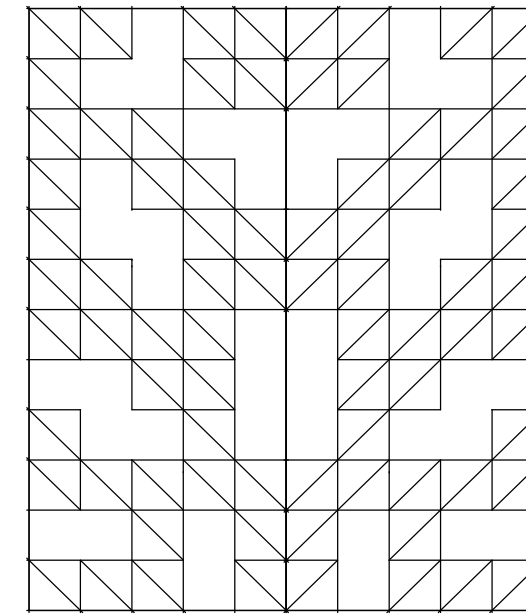


TETRIS

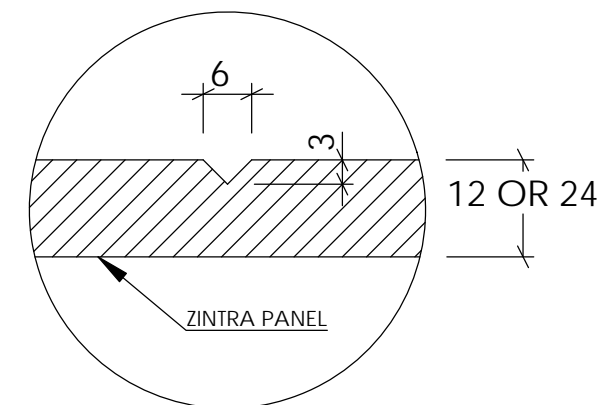
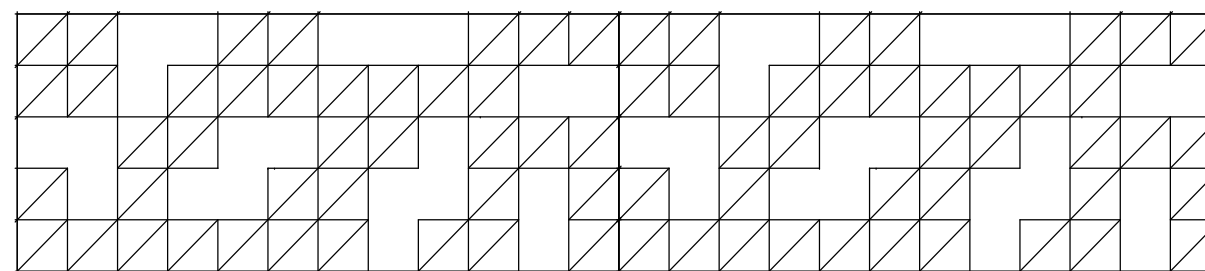
TILE



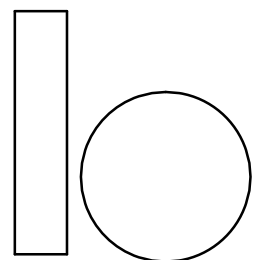
MIRROR



HORIZONTAL TILE



V-GROOVE DETAIL VIEW



baresque
www.baresque.com.au

FINISHES
QTY:
thickness:
type: ZINTRA ETCH

design: **TETRIS**
skin:
core:

S:\Baresque Manufacturing\PRODUCTION\STANDARD PRODUCTS\ZINTRA\Zintra Etch\

NOTES

3MM DEEP V GROOVE

CLIENTS APPROVAL

SIGNATURE DATE

PLEASE MAKE SURE THAT ALL DIMENSIONS
AND INFORMATION MATCHES THE
PROJECT AND SIGN FOR APPROVAL

client
address
title ZINTRA ACOUSTIC ETCH

order
scale 1:1
date 5/09/2018
revision

drawing
2/20 -TETRIS