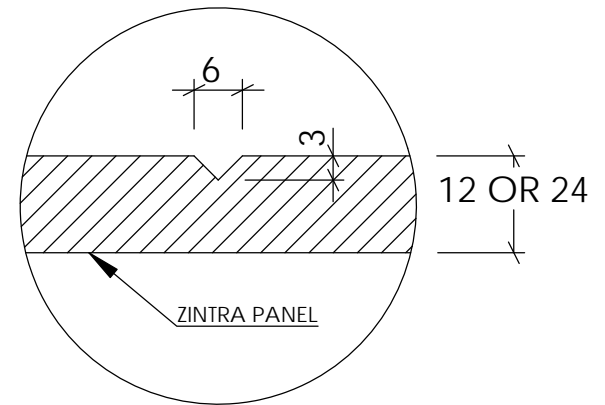
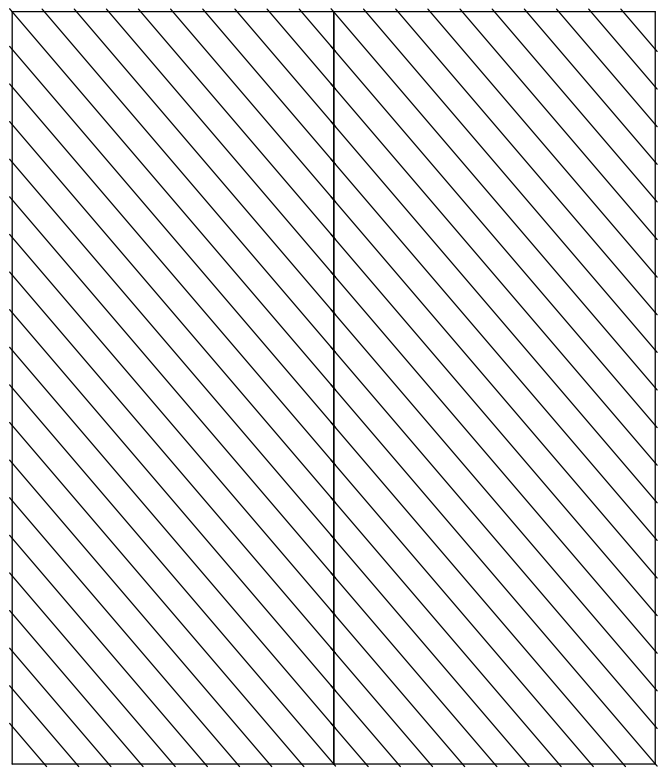
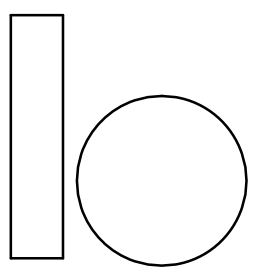
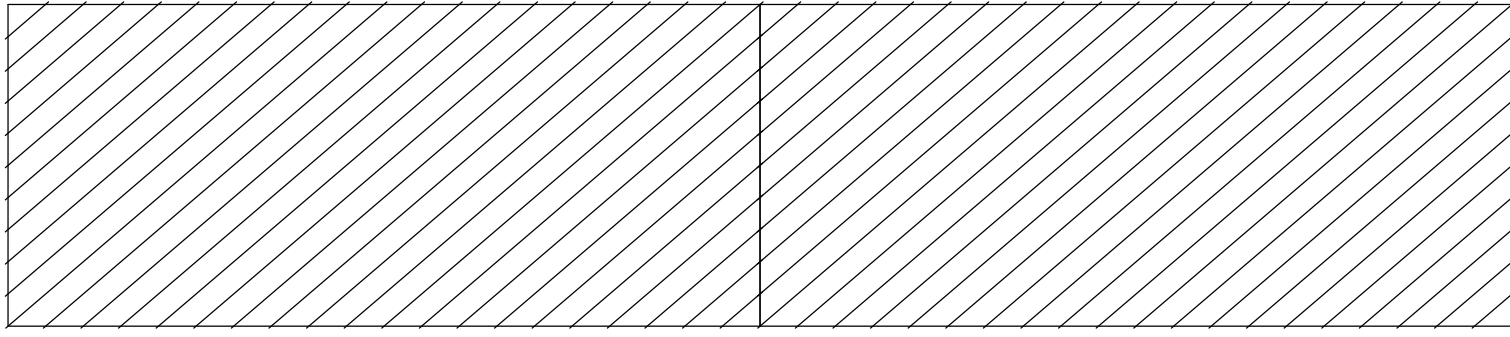


VERTICAL TILE



V-GROOVE DETAIL VIEW

HORIZONTAL TILE



baresque
www.baresque.com.au

FINISHES
 QTY:
 thickness:
 type: ZINTRA ETCH

 design: **VJ BOARD - ANGLE**
 skin:
 core:

NOTES
 3MM DEEP V GROOVE

CLIENTS APPROVAL

 SIGNATURE DATE

PLEASE MAKE SURE THAT ALL DIMENSIONS
 AND INFORMATION MATCHES THE
 PROJECT AND SIGN FOR APPROVAL

client
 address
 title ZINTRA ACOUSTIC ETCH

 order
 scale 1:1
 date 5/09/2018
 revision

 drawing
6/20 -VJ ANGLE

S:\Baresque Manufacturing\PRODUCTION\STANDARD PRODUCTS\ZINTRA\Zintra Etch\