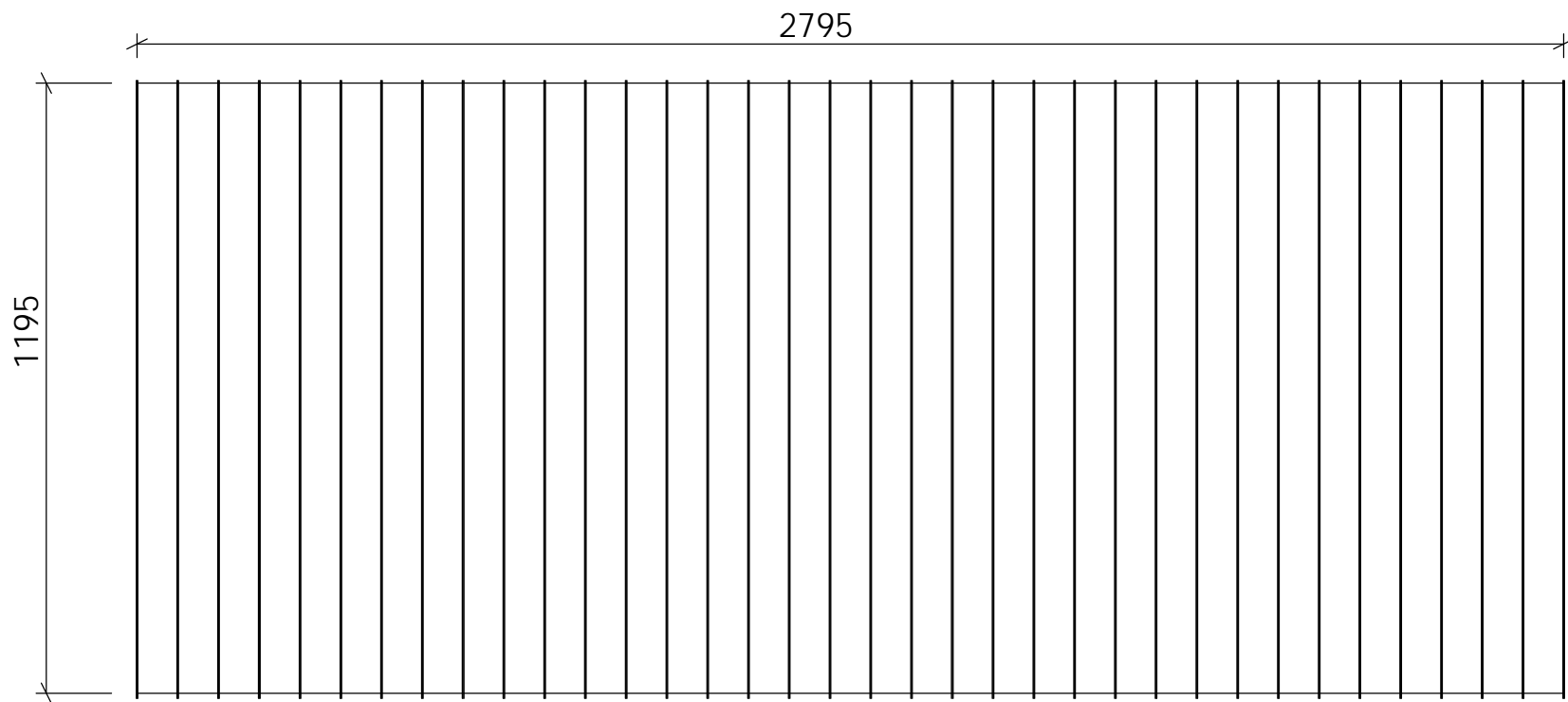
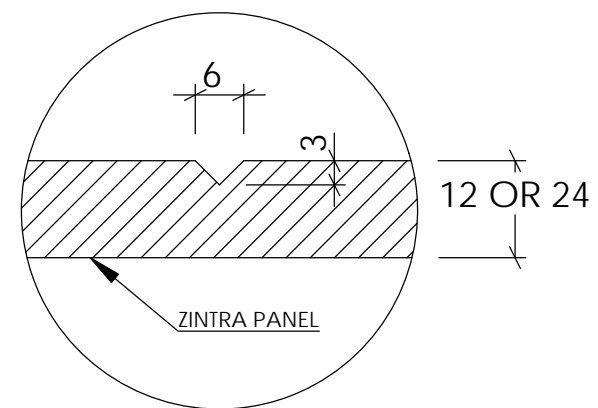


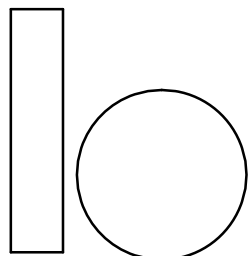
VJ NARROW VERTICAL



VJ NARROW HORIZONTAL



V-GROOVE DETAIL VIEW



baresque
www.baresque.com.au

FINISHES

QTY:
thickness:
type: ZINTRA ETCH

design: **VJ BOARD - NARROW**

skin:
core:

S:\Baresque Manufacturing\PRODUCTION\STANDARD PRODUCTS\ZINTRA\Zintra Etch\

NOTES

3MM DEEP V GROOVE

CLIENTS APPROVAL

SIGNATURE DATE

PLEASE MAKE SURE THAT ALL DIMENSIONS AND INFORMATION MATCHES THE PROJECT AND SIGN FOR APPROVAL

client
address
title ZINTRA ACOUSTIC ETCH

order
scale 1:1
date 5/09/2018
revision

drawing
4/20 -VJ NARROW